



*Total Solution Provider in Saw Device*

---

# SA44EF

44.0 MHz IF SAW Filter  
5.40 MHz Bandwidth  
Revision 1: 29. Oct. 2007



- Electrical Characteristics
  - Package Dimensions
  - Testing Environment
  - Frequency Characteristics
- 

**SAWNICS Inc.**

460 Cheonheung-ri, Seonggeo-eup, Cheonan-si, Chungcheongnam-do, 330-836 / Korea.  
Tel: +82 41 550 9372 / Fax: +82 41 550 9399 / [www.sawnics.com](http://www.sawnics.com)



## □ Electrical Characteristics

### Maximum Ratings

Parameters Description	Unit	Minimum	Typical	Maximum
Operation Temperature Range	°C	-30	-	80
Storage Temperature Range	°C	-40	-	85
Maximum DC Voltage	V	-	-	10
Maximum Input Power	dBm	-	-	10
Source Impedance (single ended) <sup>(1)</sup>	Ω	-	50	-
Load Impedance (single ended) <sup>(1)</sup>	Ω	-	50	-
Package type&size	F			
Length x Width	mm <sup>2</sup>	-	34.7 x 12.6	-
Height	mm	-	-	5.05

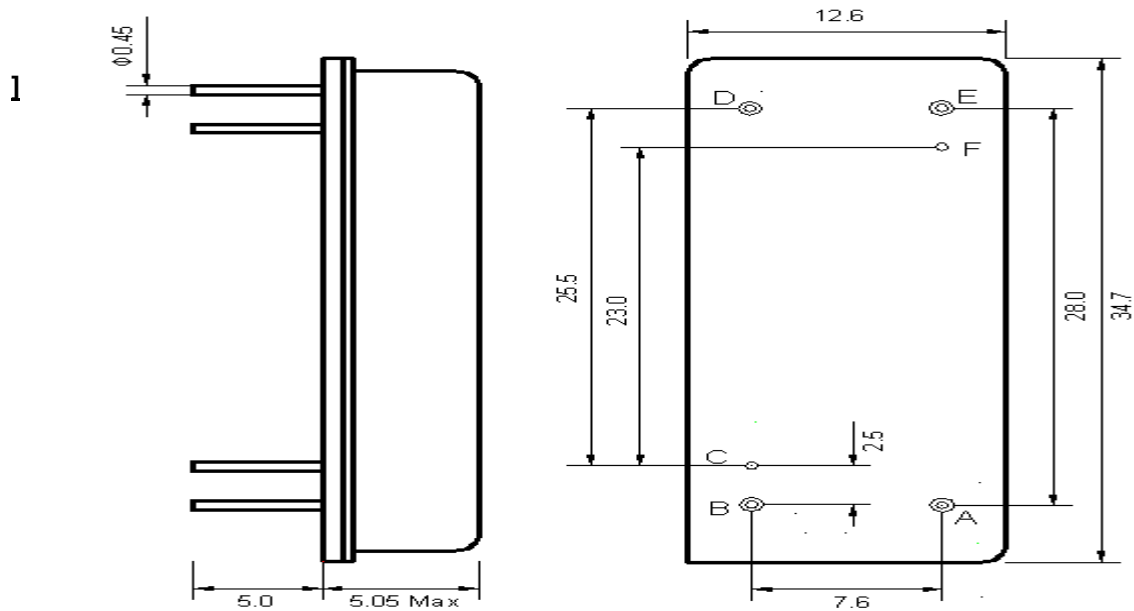
### Electrical Specification

Parameters Description	Unit	Minimum	Typical	Maximum
Center Frequency (Fo)	MHz	43.95	44.0	44.05
Insertion Loss at Fo	dB	-	24.5	25.5
Amplitude Ripple Variation	dB <sub>p-p</sub>	-	0.5	0.8
Group Delay Variation	nsec	-	65	100
Absolute Delay at Fo	μsec	-	4.07	-
Temperature Coefficient	ppm/°C	-	-94	-
Bandwidth at -1.0 dB	MHz	5.4	5.5	-
Bandwidth at -3.0 dB	MHz	5.6	5.68	-
Bandwidth at -40.0 dB	MHz	-	6.45	6.6
Ultimate Rejection	dB	45	50	-

**Notes :** (1) With Matching Network (Ref. Testing Environment Circuit as shown below).

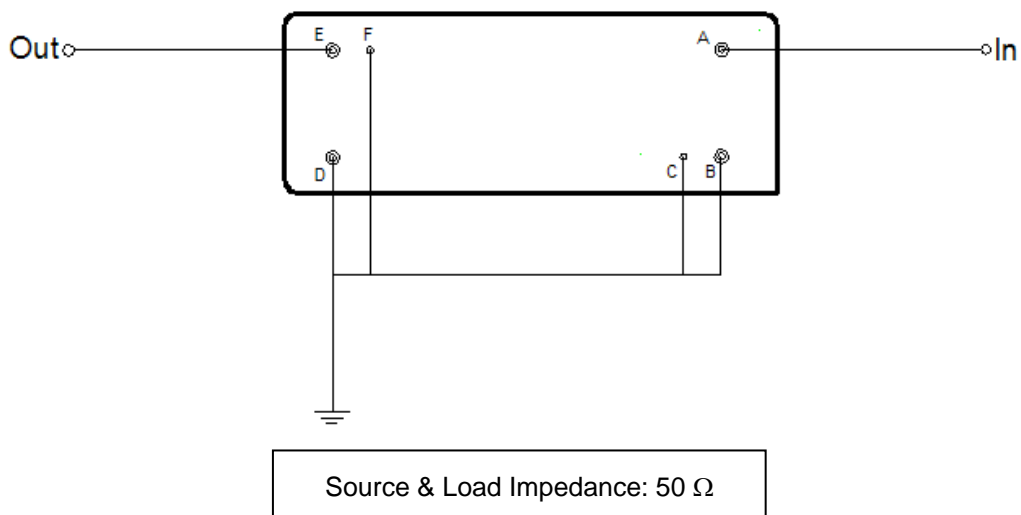
Those impedances could be modified with different impedance values and/or structures, if necessary.

**□ Package Dimensions**



Pin Description	
B, C, D, F	Ground
A	Input
E	Output

**□ Testing Environment**



## □ Frequency Characteristics

### Frequency Response

